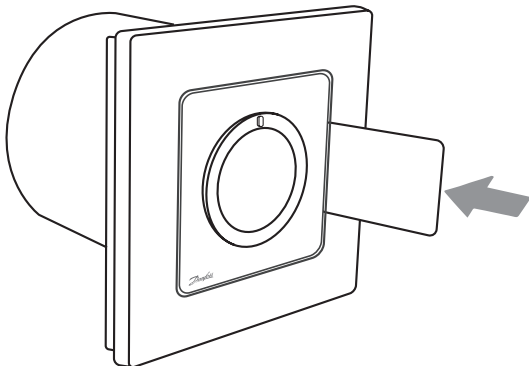
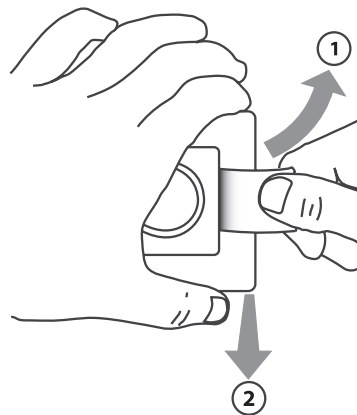




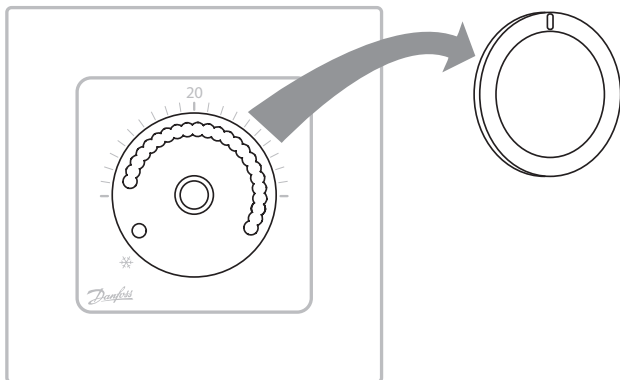
6.



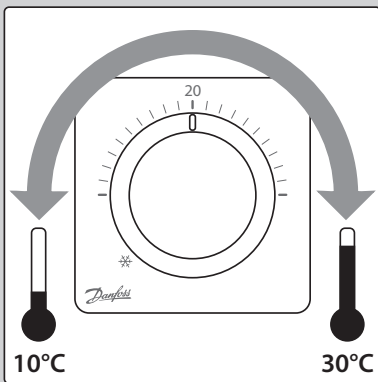
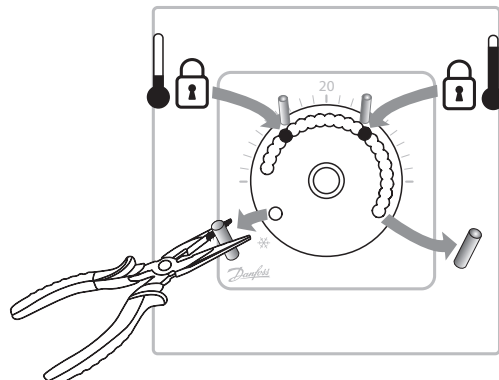
7.



8.



9.



10°C

30°C

❄ = 5°C

13655 000 03 Manual Installation WRT Dial 230 F80 IW

ENGINEERING  
TOMORROW



Installation & User Guide

# Danfoss *Icon*™ Dial Room Thermostat

VICUV40F/088N3650

[www.icon.danfoss.com](http://www.icon.danfoss.com)