

*Danfoss*

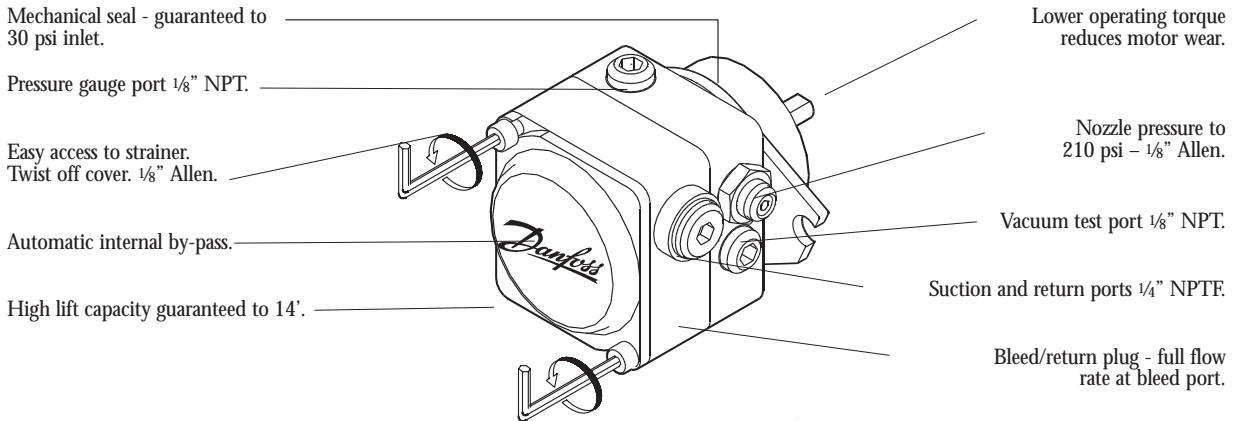


«When it's time  
to change»

Change to the best

*Features*

- Easy installation and access to strainer
- Automatic by-pass, no blown shaft seal
- Mechanical shaft seal rated to 30 psi
- Nozzle pressure adjustable to 210 psi



### BFPH - features

- Automatic by-pass**  
**Bleed/return plug** No plug required for piping conversion. Full flow rate when open. Closing or restriction of return line will not cause overpressure or overfire.
- Patented shaft seal** Mechanical type carbon and steel guaranteed to 30 psi inlet pressure. Seals against vacuum leakage.
- Trochoidal gear set** 15 GPH flow rate. Less friction loss on 2 line systems and reduced running vacuum. Closer tolerances for quiet operation. Lower operation torque with guaranteed curves.
- High lift capacity**  
**Nozzle pressure** Guaranteed 14' - 2 line system. Adjustable to 210 psi at 3450 RPM - steady setting.
- Easy maintenance** Loosen 2 screws and twist off cover. O-ring stays in place (best seal against leaks).

### Technical data

Type	BFPH
Fuel type	Kerosene, fuel oil #1 or #2
UL, CSA Strainer rating	3 GPH
Pressure adjustment range	100-210 psi
Factory setting	100 psi
Maximum pressure on suction line	30 psi
Speed	1725 and 3450 RPM
Max. ambient temperature	160°F

Variety of speed, rotation, nozzle port locations and mounts available.  
Environmentally safe packaging.  
OEM and UL tested and approved.  
3 year warranty.

### Code numbers

BFPH code no.	RPM	Rotation direction	Nozzle port location	Replaces Suntec
071N1151	3450	RH	RH	A2VA7116 / 7026
071N1152	1725	RH	RH	A1VA7112 / 7022
071N1153	3450	RH	LH	A2VB7117
071N1154	1725	RH	LH	A1VB7113
071N1155	3450	LH	RH	A2VD7119
071N1156	1725	LH	RH	A1VD7115 / 7741
071N1157	3450	LH	LH	A2VC7118
071N1158	1725	LH	LH	A1VC7114

Danfoss shall not be responsible for any errors in catalogs, brochures or other printed material. Danfoss reserves the right to alter its products at any time without notice, provided that alterations to products already on order shall not require material changes in specifications previously agreed upon by Danfoss and the Purchaser. All trademarks in this material are property of the respective companies. Danfoss and the Danfoss logotype are trademarks of Danfoss A/S. All rights reserved.



#### Danfoss Inc.

**Burner Components**  
7941 Corporate Drive  
Baltimore, MD 21236 USA  
Telephone: (410) 931-8250  
Fax: (410) 931-8256  
E-mail: baltimore@danfoss.com  
www.danfoss.com/burner

#### Danfoss Inc.

7880 Tranmere Drive  
Mississauga, Ontario L5S 1L9  
Canada  
Telephone: (905) 676-6000  
Fax: (905) 676-0279  
E-mail: burnersales@danfoss.ca  
www.danfoss.com/burner