



# Remote control your ECL Comfort and enjoy a savings forecast

ECL Portal is your communication application for remote control of your district heating system. Whether experienced or first timer user, the ECL Portal

provides easy access and overview of the system's daily performance and reduces maintenance and service costs.



# 24/7

System access

Improve level of service with real-time system control from your PC or smartphone.



# EASY, EFFECTIVE, ECL

## Access your ECL controllers via PC or smartphone

The ECL Portal application for the electronic controller ECL Comfort 310 is an easy-to-use SCADA tool for control of your district heating system. ECL Portal enables you to streamline service, commissioning and maintenance – directly from your PC or smartphone, wherever you are.

Increase your service levels and reduce costs with 24/7 access and control and get a complete overview of energy consumption data, temperatures and flow. The result is optimum performance and actual energy savings.

The ECL Portal server is hosted by IT professionals, which means you get reliable backup and secure management of data, and operating hosting costs are always known in advance.

## Real benefits, real savings

The ECL Portal allows you to:

- Increase long-term system performance
- Gain a higher level of awareness and transparency of the energy consumption
- Improve service level and reduce response time to alarms
- Do troubleshooting without having to visit the heating system



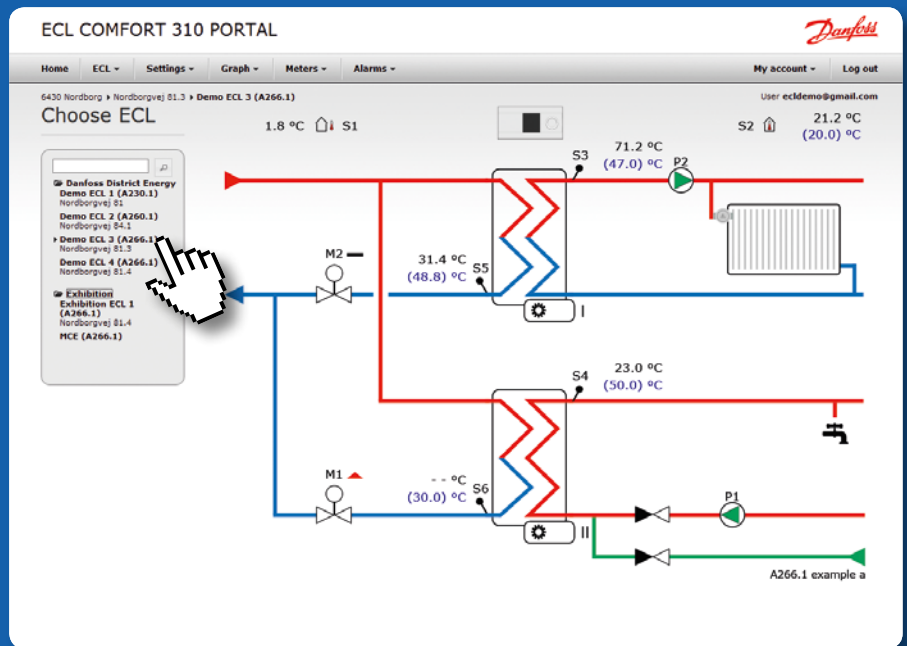
# A LOGICAL INTERFACE

## Intuitive and user-friendly

The web-based graphical interface on the ECL Portal provides you with detailed information about the ECL Comfort 310 configurations, parameter settings and sensor values – when and where you want it.

The graphical display of your heating system is very intuitive and the ECL Portal's SCADA "look and feel" should make you feel right at home.

The application selected on the ECL Comfort 310 controller is automatically shown on the main screen of the ECL Portal, and current and reference values are shown and automatically updated on the screen. At the same time, relevant menus provide instant access to configurations, trend curves and other features – giving you a solid overview.



# YOUR STARTER KIT...

## ...a PC, an Internet connection and you're going!

The communication between the ECL Comfort 310 controller and the ECL Portal uses the existing standard Internet connection (Ethernet) in the building. Hence, the installation process is virtually hassle-free. Also, no special software needs to be installed on the user's PC, which saves time for first time and experienced users alike.

Once the system is up and running, three levels of user accounts (Owner, Technician and End User) are available to differentiate users' access and administration rights of the system. From here on in, keeping track of your ECLs is as easy as ever, and with the free smartphone app intelligent control is literally always right at your hand.

## Step by step

- 1 » Plug in the Ethernet cable to get internet connection
- 2 » Turn on the ECL Portal feature in the settings menu on the ECL controller
- 3 » Take notice of the displayed serial number and access code
- 4 » Then go to [ecl.portal.danfoss.com](http://ecl.portal.danfoss.com) via your internet browser
- 5 » Log-in or setup (first time use) to your user account
- 6 » Register the ECL by entering the serial number and access code.

**Now you're ready to take advantage of the 3 months free trial period!**





## Danfoss ECL Comfort controller – high performance for district heating systems

The ECL Comfort controller is a weather compensator designed to function as the intelligent hub of a heating system or a district heating substation. The ECL Comfort is developed with your needs in mind and incorporates a range of features that enable you to achieve high performance. For example, you can save on installation and commissioning time, reduce unplanned maintenance, and reduce energy consumption.

With Danfoss, you're prepared for the future, and the ECL controller will accompany you every step of the way. If your need for network communication and monitoring heating systems in multiple neighboring buildings arises, it is easy to add and connect ECL controllers in a network.

### Clever communication

The ECL Comfort 310 offers state-of-the-art options for communication interfaces. The range of options, available either built-in or with extension modules, includes Internet (Ethernet), Modbus, M-Bus, and USB for service purposes.

Contact us or learn more on [ecl.danfoss.com](http://ecl.danfoss.com)



## GETTING STARTED IS EASY

Create or login to your user account and register your ECL controllers today at  
[ecl.portal.danfoss.com](http://ecl.portal.danfoss.com).

To download the free app from the App Store / Google Play, simply search for "ECL Portal" or scan the QR-code below, and you are ready to go!



Available on the iPhone  
**App Store**

ANDROID APP ON  
**Google play**

**Danfoss A/S** · DK-6430 Nordborg · Denmark · Tel.: +45 74 88 22 22 · Fax: +45 74 49 03 95

E-mail: [districtenergy@danfoss.com](mailto:districtenergy@danfoss.com) · [www.districtenergy.danfoss.com](http://www.districtenergy.danfoss.com)

Danfoss can accept no responsibility for possible errors in catalogues, brochures and other printed material. Danfoss reserves the right to alter its products without notice. This also applies to products already on order provided that such alterations can be made without subsequential changes being necessary in specifications already agreed. All trademarks in this material are property of the respective companies. Danfoss and the Danfoss logotype are trademarks of Danfoss A/S. All rights reserved.