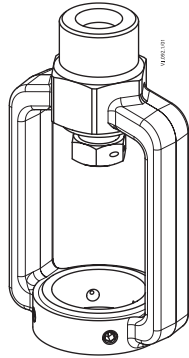
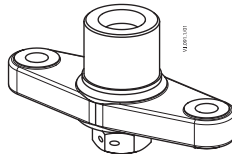


# Installation Guide

## Connection kit AMV(E) 410, 413, 610, 613, 633/AFQM(6)



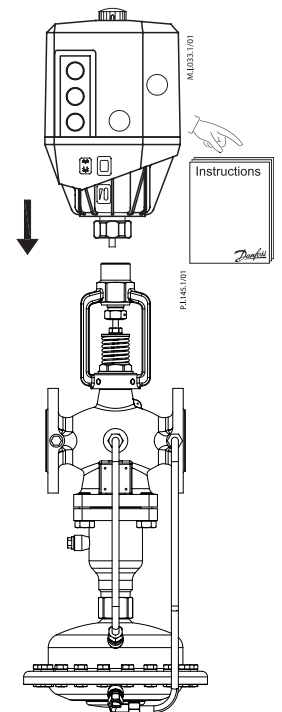
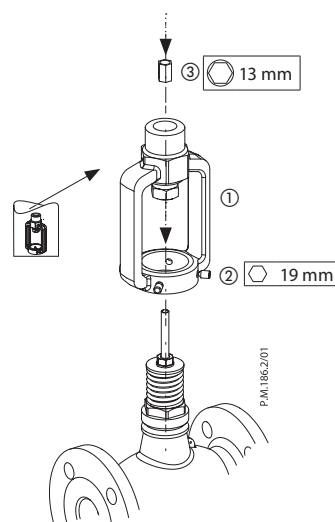
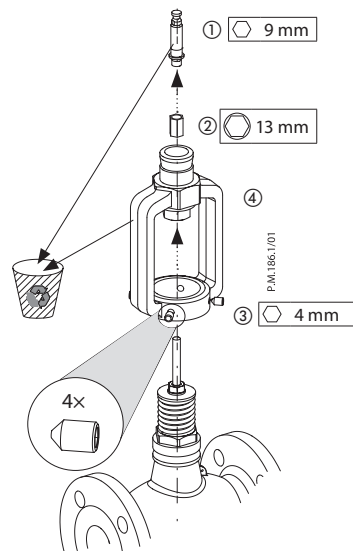
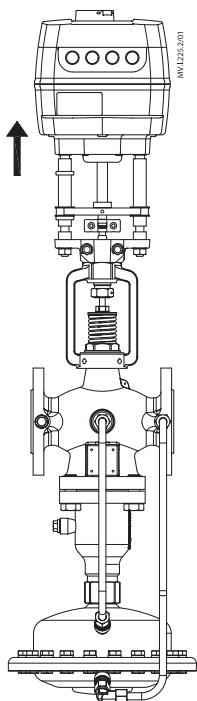
003G1425



003G1426

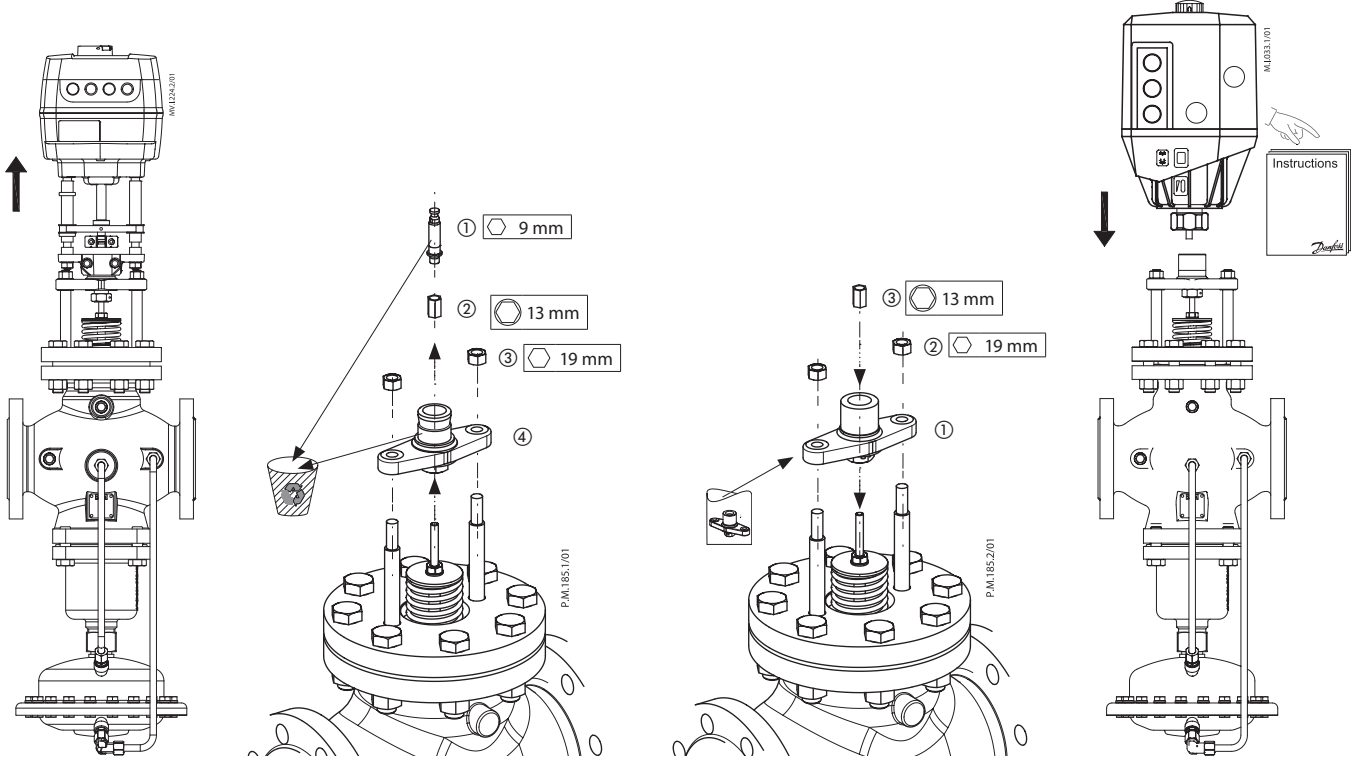
Type	Code Nr.
AMV(E) 41x, 61x, 63x/AFQM6	003G1425
AMV(E) 41x, 61x, 63x/AFQM	003G1426

<p>003G1425</p>		1x		mm	9
		1x			13
		4x			4



# Installation Guide Connection kit AMV(E) 410, 413, 610, 613, 633/AFQM(6)

 <b>003G1426</b>		1x		mm	9, 19
		1x			13



Danfoss can accept no responsibility for possible errors in catalogues, brochures and other printed material. Danfoss reserves the right to alter its products without notice. This also applies to products already on order provided that such alterations can be made without subsequential changes being necessary in specifications already agreed. All trademarks in this material are property of the respective companies. Danfoss and the Danfoss logotype are trademarks of Danfoss A/S. All rights reserved.